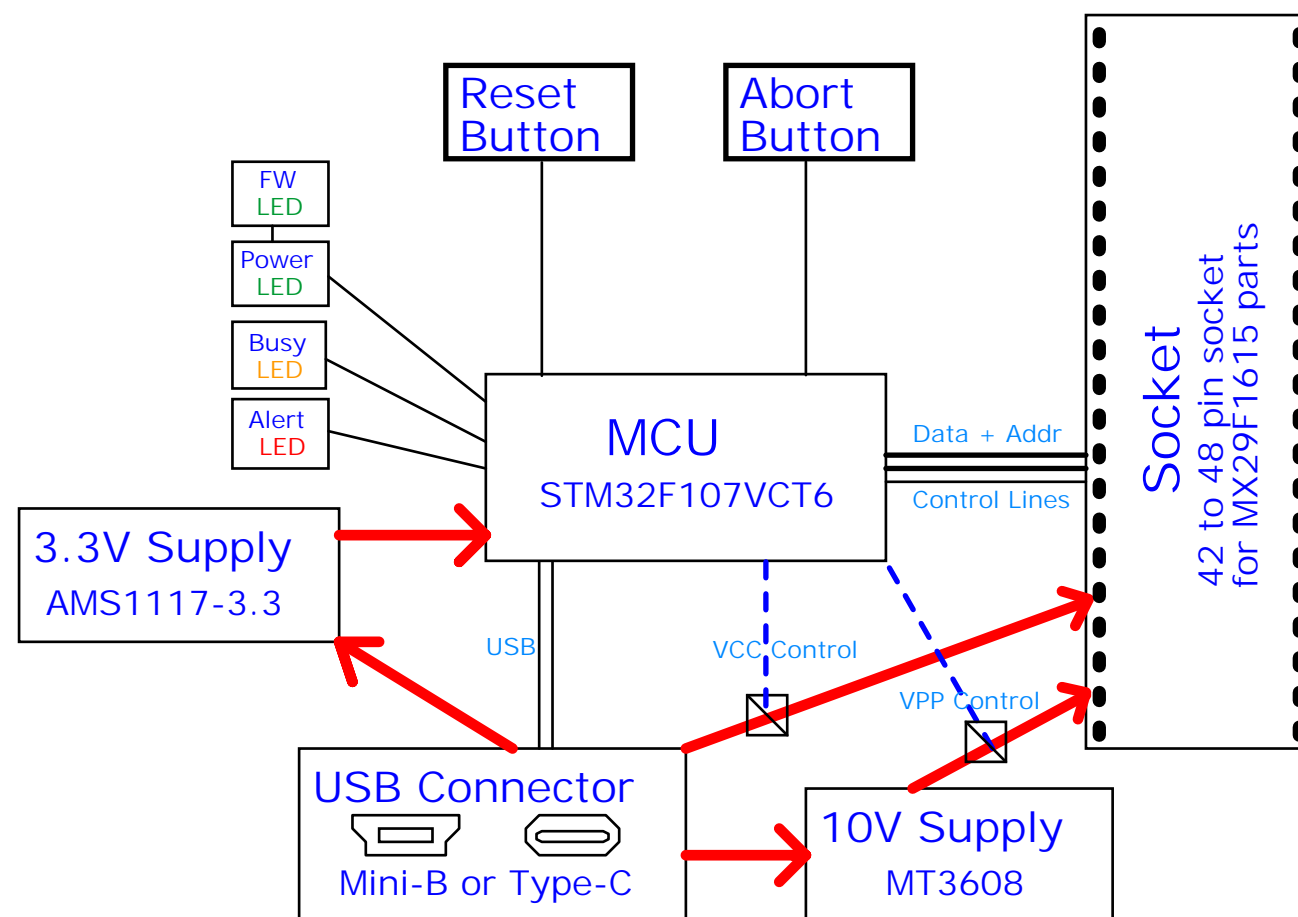


MX29F1615 Programmer

Rev 3 - 2020-10-12

An STM32 Cortex-M3 CPU (STM32F107VCT6) is used to provide a programmer interface between a PC and the Macronix MX29F1615 EEPROM part. The implementation is a combination of custom hardware, firmware, and Linux software to achieve easy erasure, programming, and verification of MX29F1615 EEPROM parts. The Linux software could be ported to MacOS or Windows, as it mostly just requires a working USB ACM driver to communicate with the firmware running on the STM32.

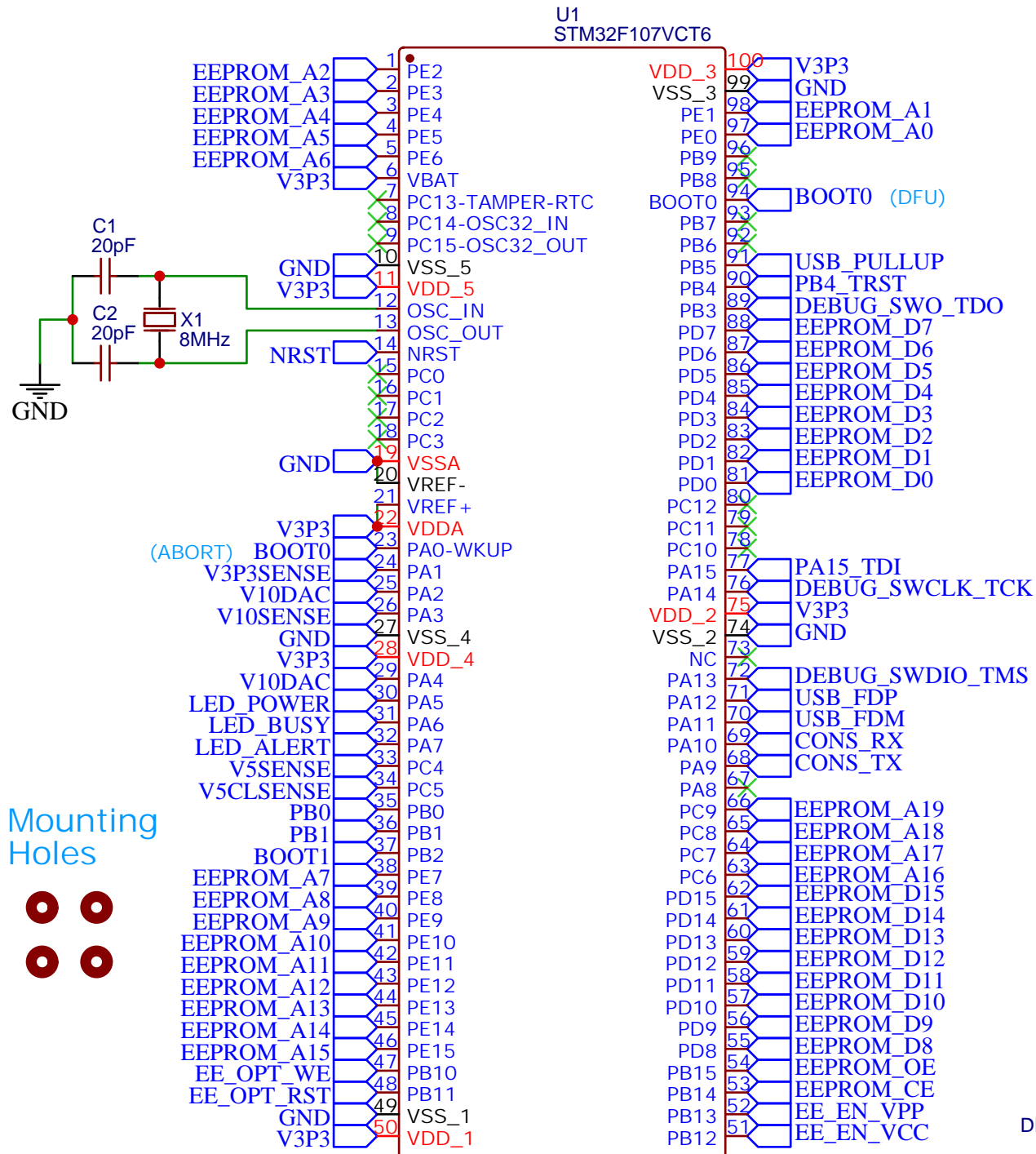
The major hardware components consist of the STM32 (256KB integrated flash and 48K integrated SRAM), a USB connector, three status LEDs, three buttons, a 3.3V power supply, and a 10V power supply (both fed by USB 5V power), and finally a socket with holes large enough to accommodate a commonly available 48-pin ZIF socket. Note that the MX29F1615 is a 42-pin device, so you may choose to install a cheaper 42-pin socket instead.



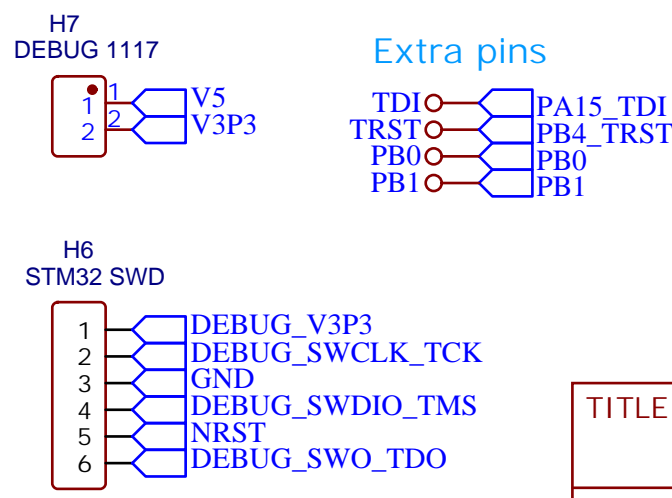
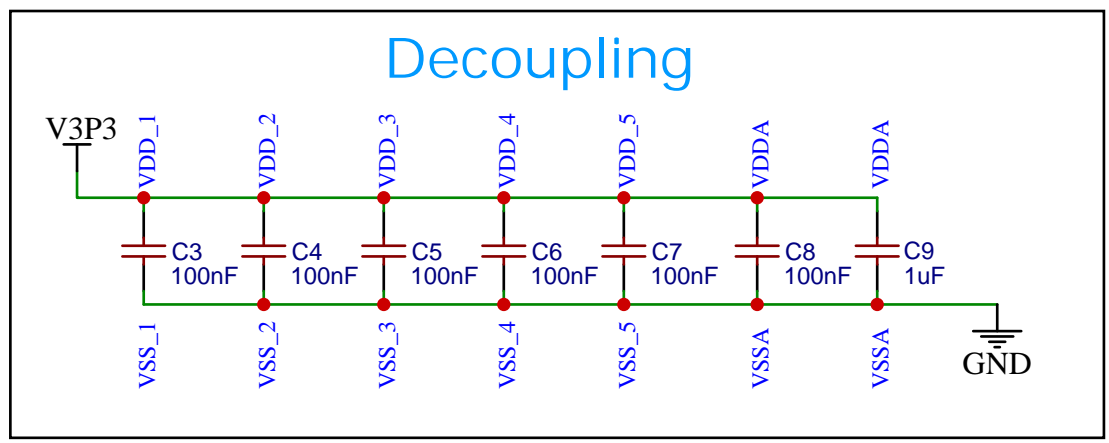
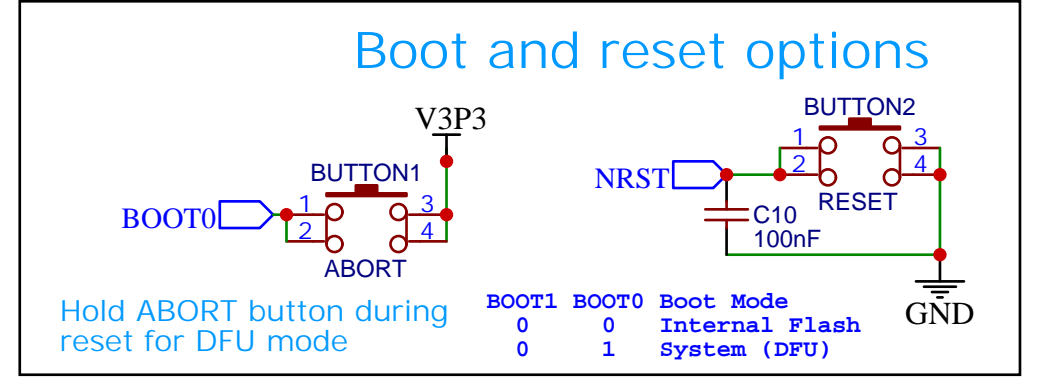
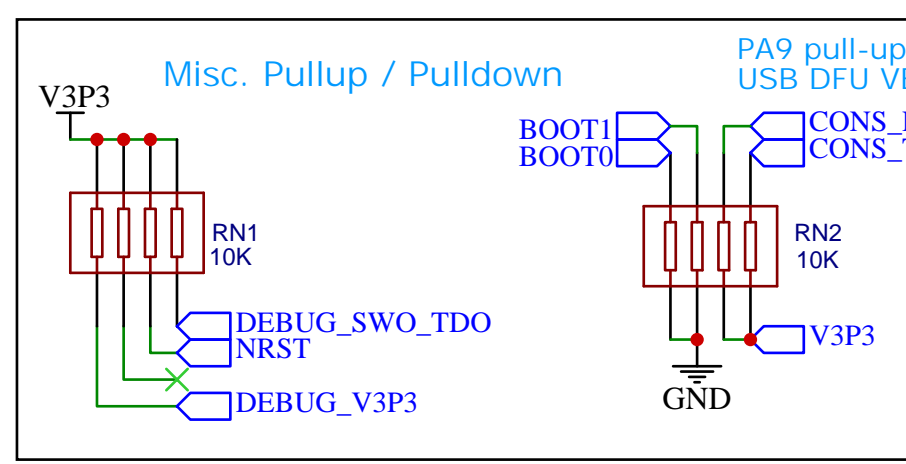
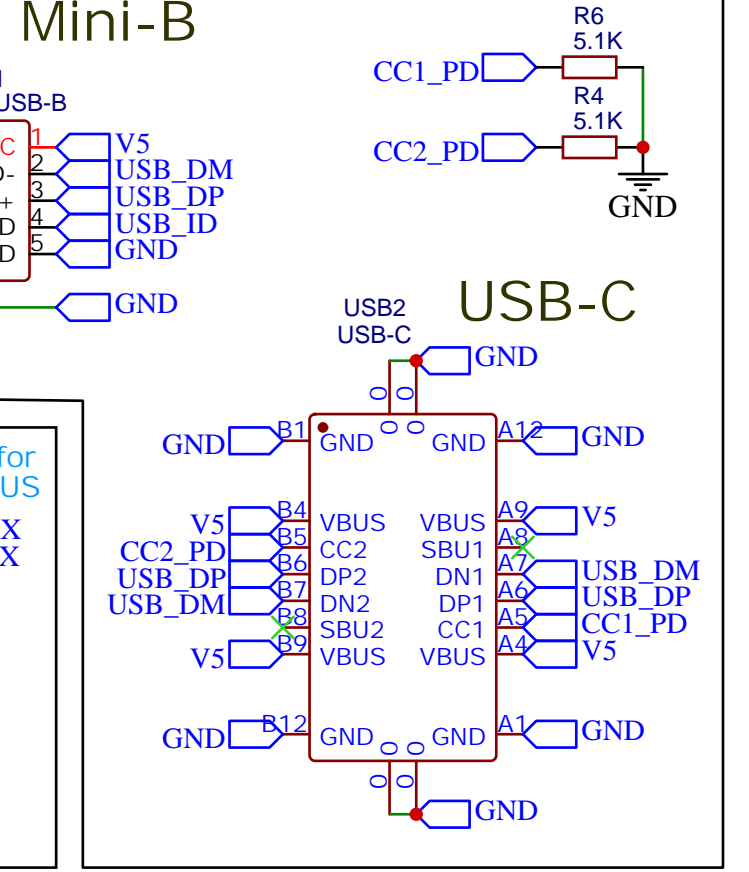
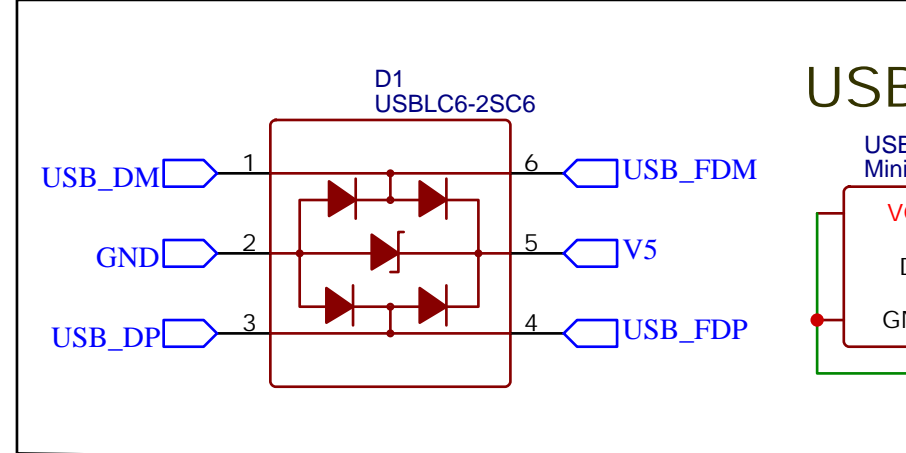
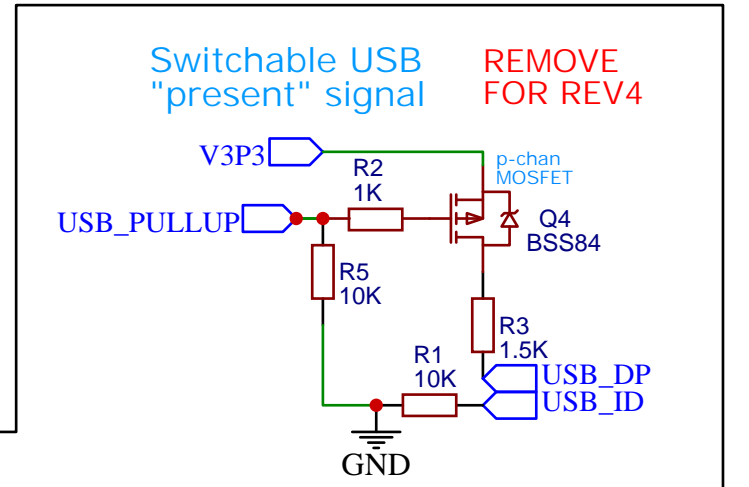
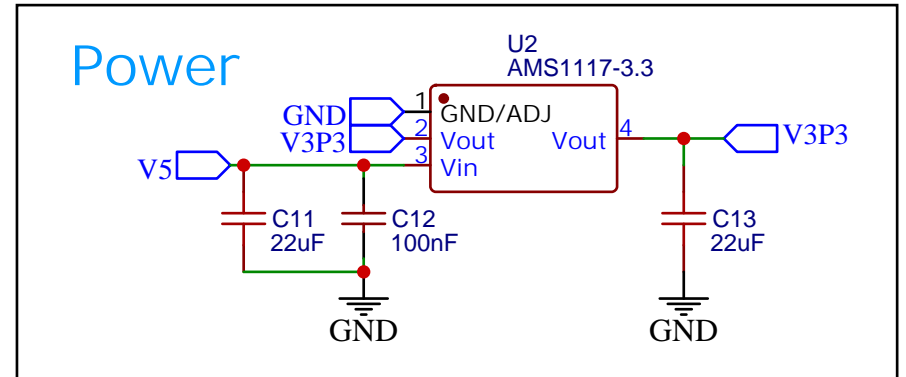
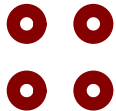
TITLE: Overview		REV: 3.0
EasyEDA	Company: eebugs.com	Sheet: 1/3
	Date: 2020-10-12	Drawn By: cdhooper

STM32F107VCT6

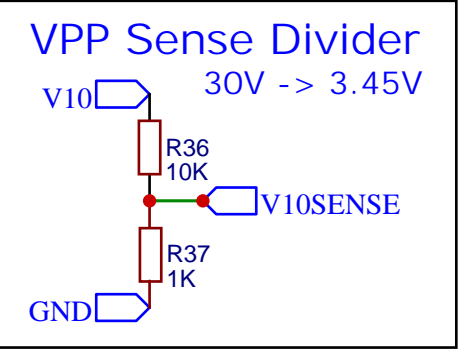
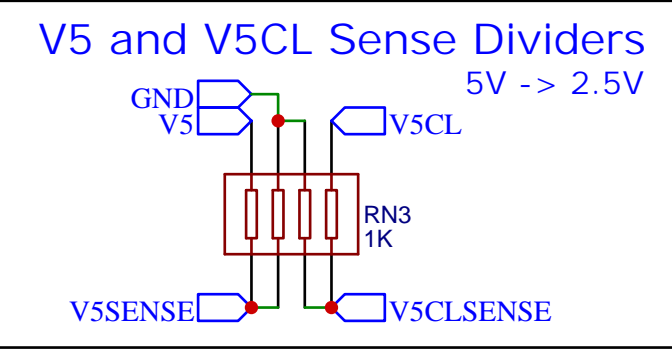
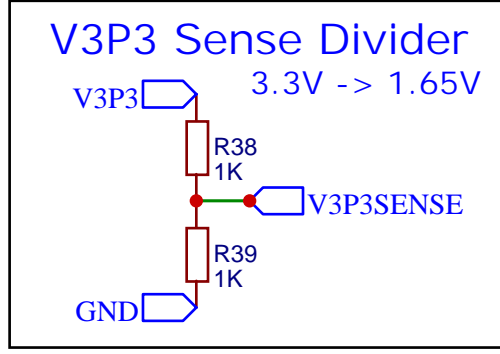
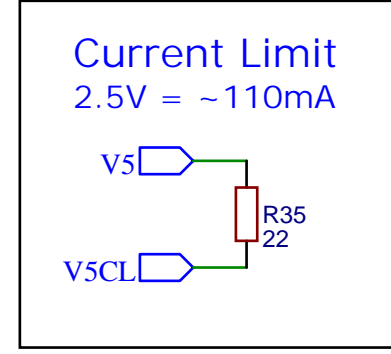
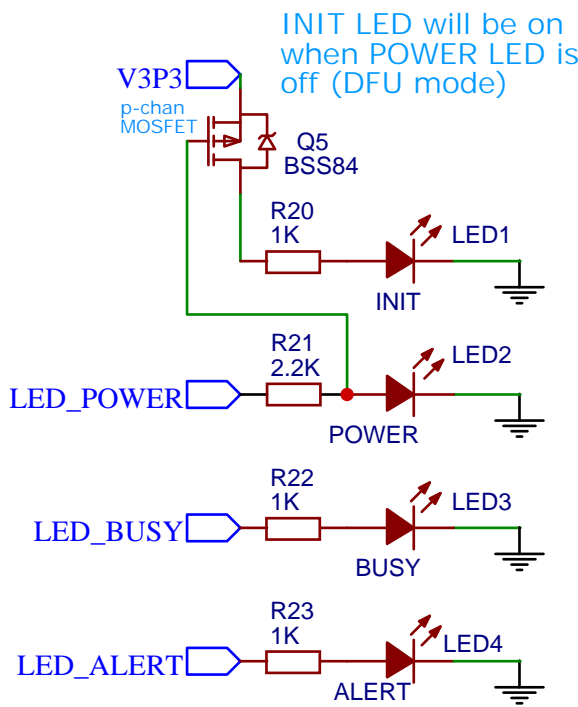
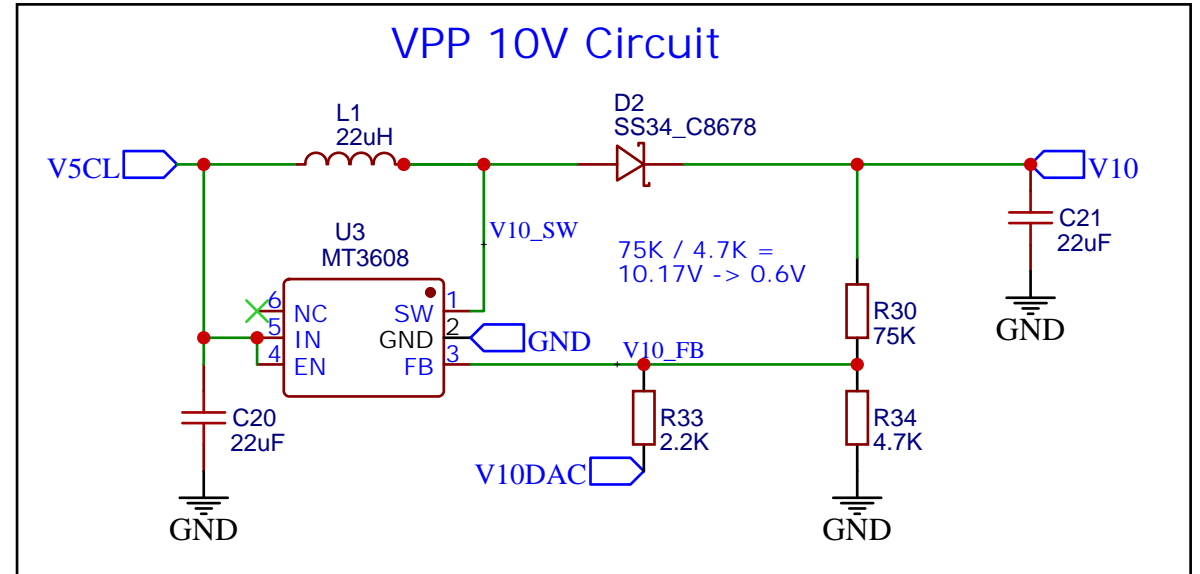
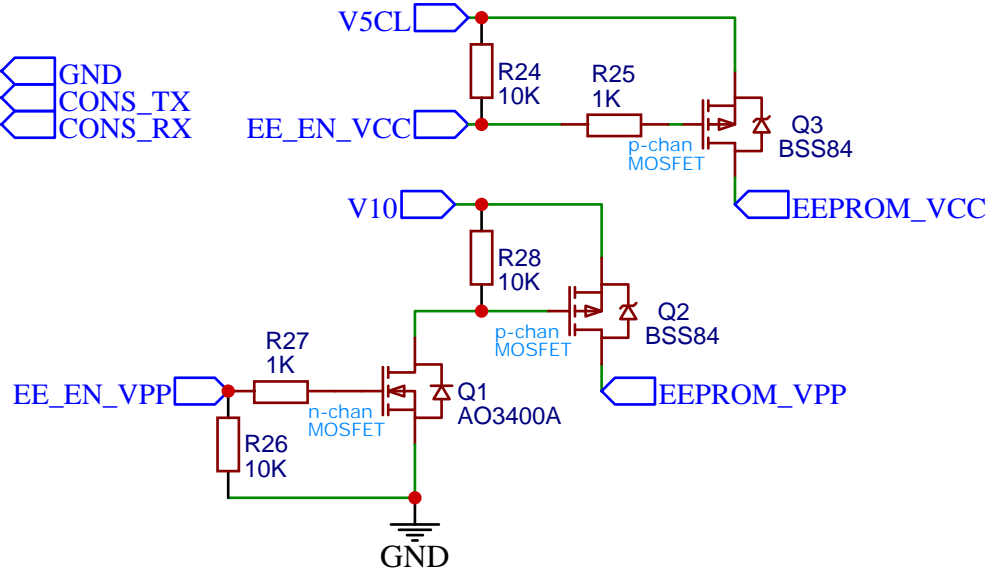
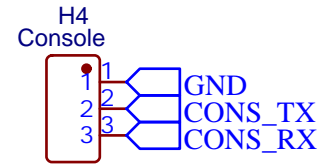
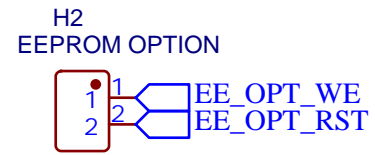
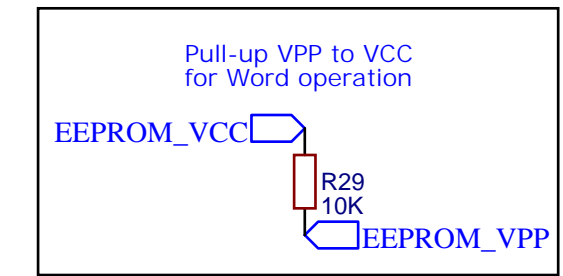
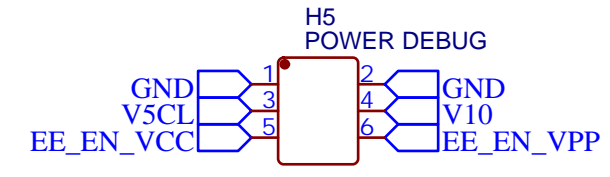
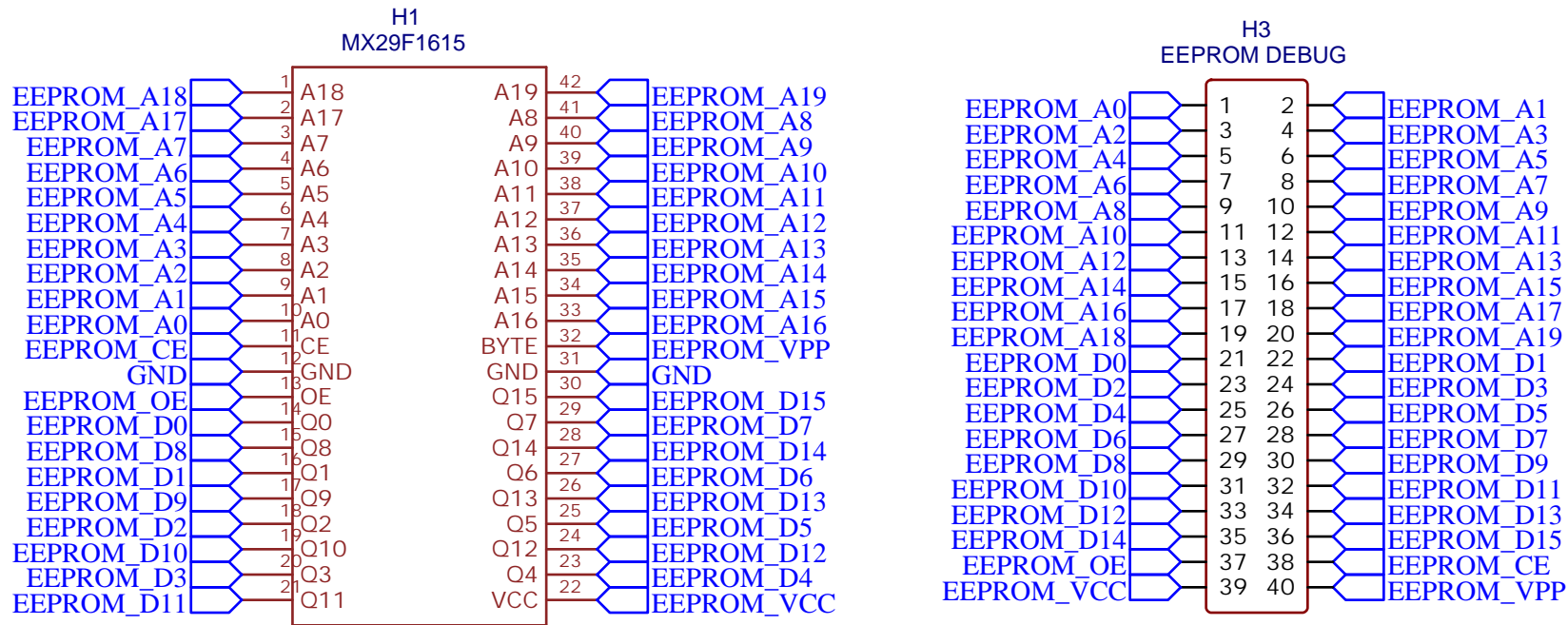
72 MHz, 256K Flash, 64K SRAM, 80 IO pins



Mounting Holes



MX29F1615 Programming Header (ZIF-48 socket compatible)



TITLE: MX29F1615 and 10V Circuit		REV: 3.0
EasyEDA	Company: eebugs.com	Sheet: 3/3
	Date: 2020-10-12	Drawn By: cdhooper