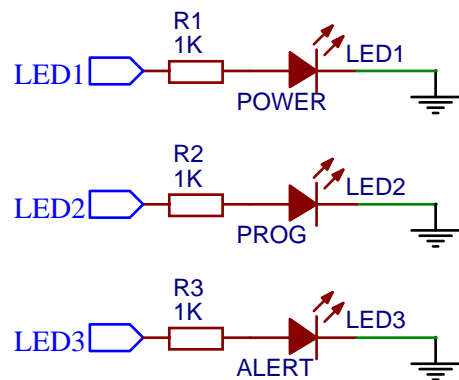
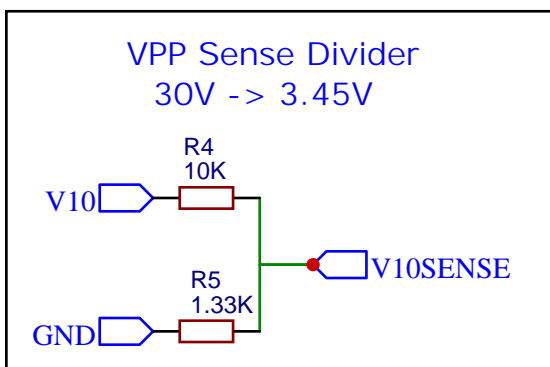
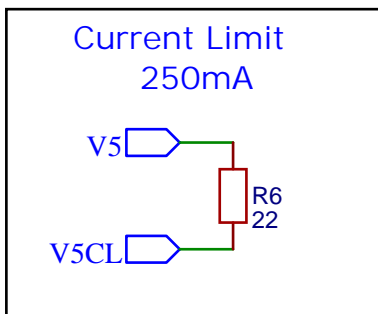
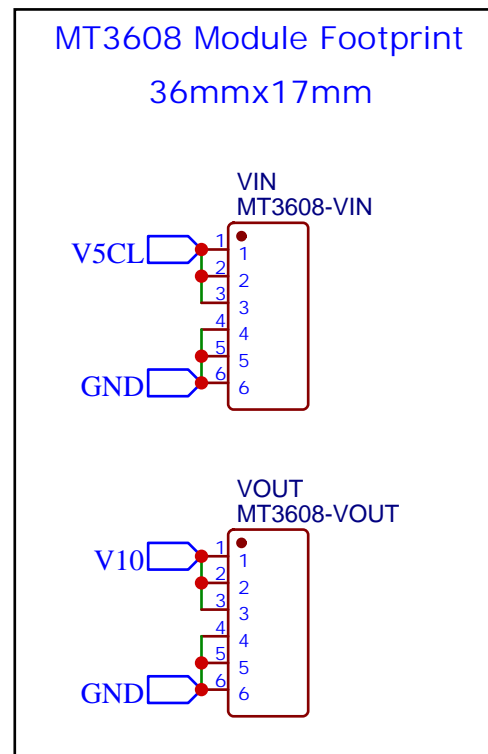
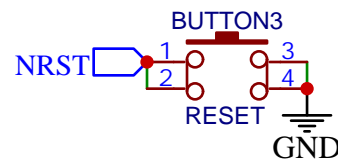
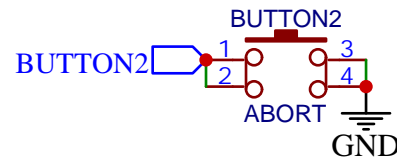
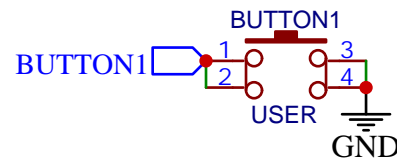
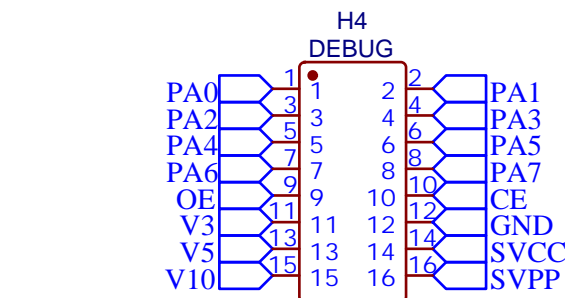
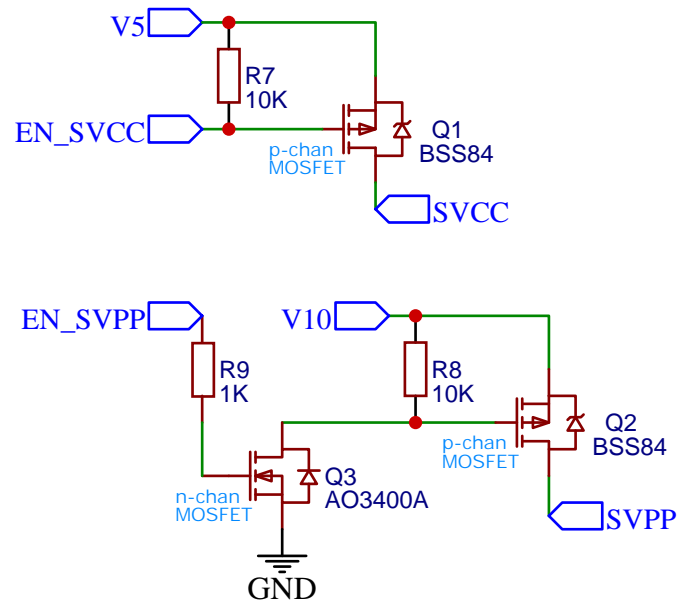
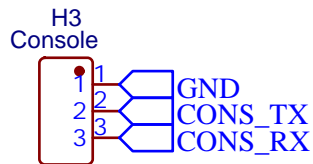
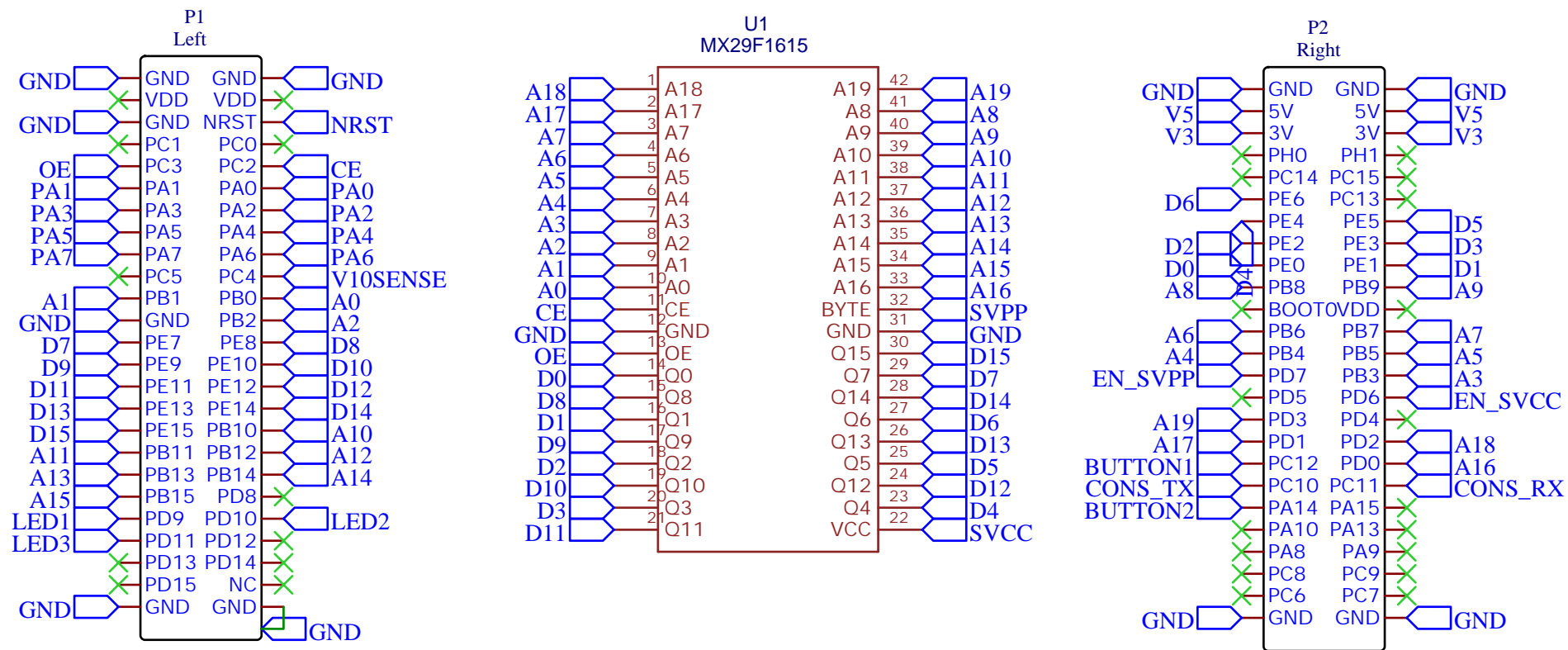


MX29F1615 Programming Adapter for STM32F407-Discovery Board



TITLE: MX29F1615 programming header		REV: 1.0
Company: eebugs.com		Sheet: 1/1
Date: 2020-08-04		Drawn By: cdhooper

