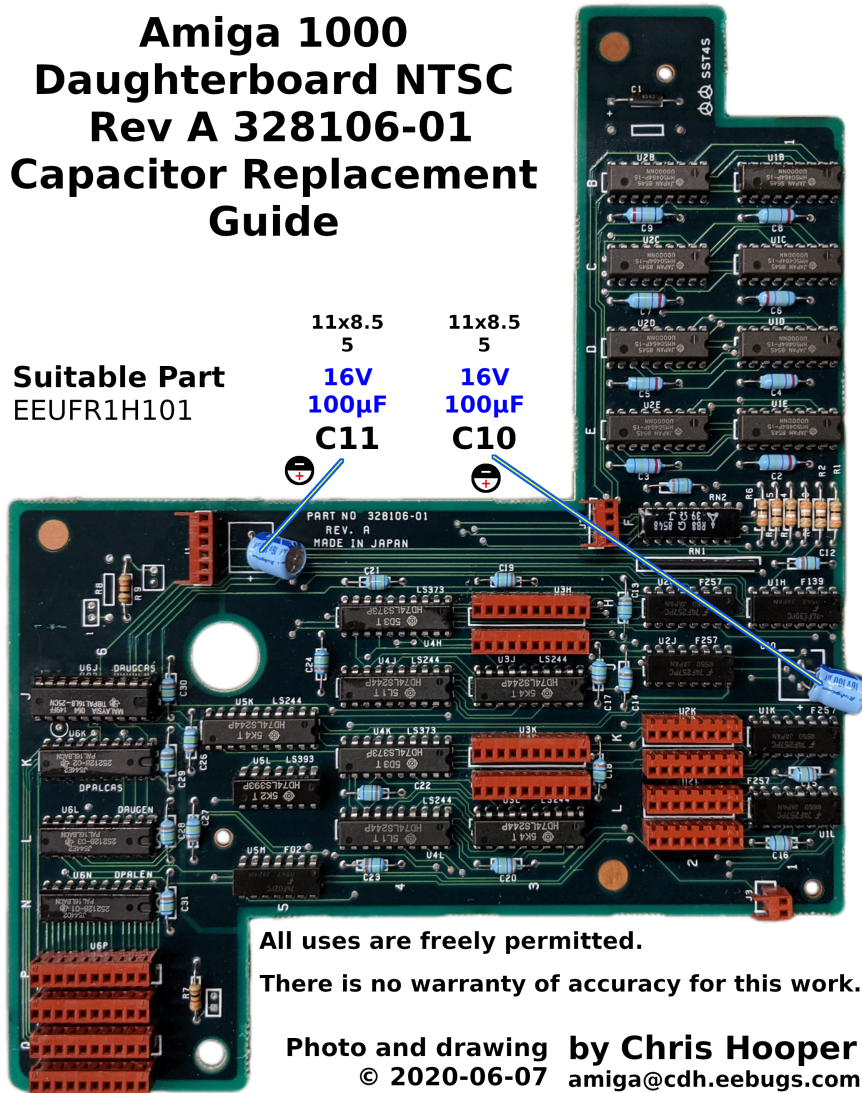


Amiga 1000 Daughterboard NTSC Rev A 328106-01 Capacitor Replacement Guide

Suitable Part
EEUFR1H101

11x8.5
5
16V
100µF
C11

11x8.5
5
16V
100µF
C10



All uses are freely permitted.

There is no warranty of accuracy for this work.

Photo and drawing by Chris Hooper
© 2020-06-07 amiga@cdh.eebugs.com